



Pure and Simple Solutions

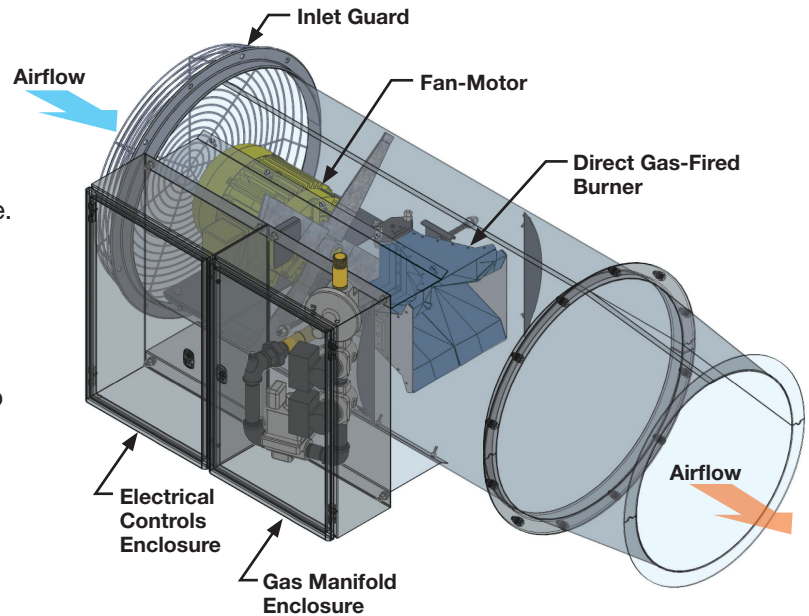
The DH•Series

Door Heaters

- High-Speed, Directed Airflow
- Direct-Fired Heating Efficiency

For high-speed, directional heated airflow, AbsolutAir DH Series offers exceptional value. As economical, automatic door heaters, DH models efficiently block the inrush of cold air when roll-top or overhead doors are opened. Installed at a carwash exit, DH Series heaters effectively direct high-speed heated air to help dry vehicles after a drying cycle.

Designed and built for exceptional economy, reliability and versatility, the AbsolutAir DH90 door heater has a heating capacity of 900 MBH and an airflow capacity of 6,000 CFM. A near-100% efficient burner uses either natural or LP gas.



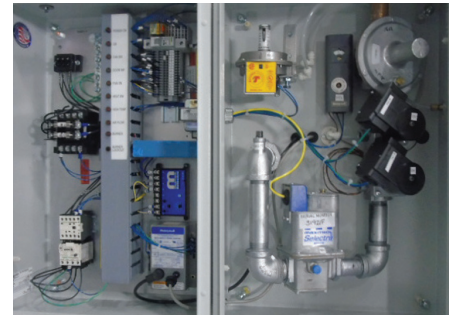
Key Features

- Durable Stainless Steel Construction
- Weatherproof Electrical and Gas Control Enclosures
- ETL Listed to Meet UL-508A
- Remote or Door-Switch Controlled
- Automatic Electronic Spark Ignition
- Flame Rod Burner Supervision
- Maxitrol 14 Discharge Temperature Controls
- Diagnostic Circuit Check Lights
- Direct-Drive Axial Fan with Inlet Guard
- Easy to Install at Any Angle
- Two-Year Parts/90-Day Labor Warranty

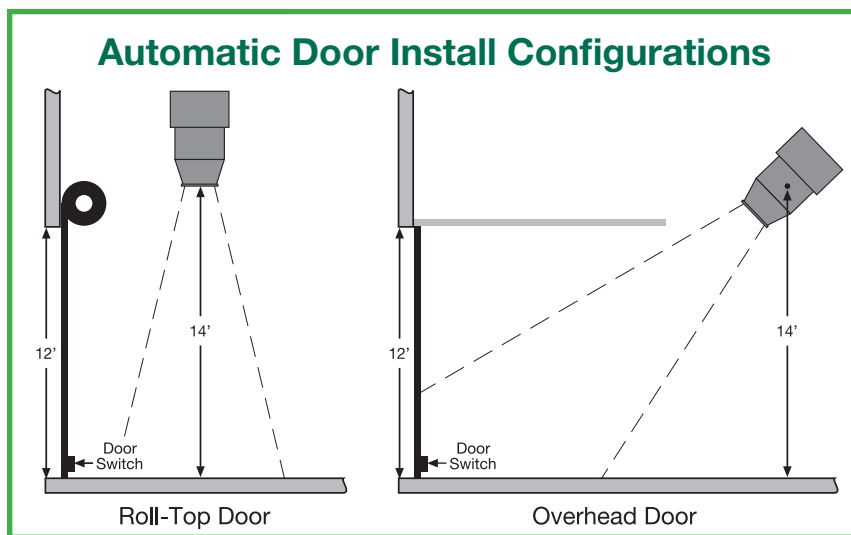
DH90 Model Details



Robust construction includes a non-corroding stainless steel housing and weatherproof controls enclosure.



Reliability and safety are ensured with advanced gas-manifold controls, electronic ignition, flame rod burner supervision, and diagnostic circuit check lights.



High-volume airflow with consistent velocity is provided by a large, direct-drive axial fan on the inlet end.

The AbsolutAir DH90 door heater can be mounted vertically just inside roll-top or straight-lift doors or mounted at an angle facing overhead doors. Connected to a door switch, the DH90 heater can automatically turn on and direct warm air toward the floor area near the door opening.

AbsolutAir® DH90 Heater Specifications

Airflow Capacity	6,000 CFM
Heating Capacity	900,000 BTU/HR
Motor (TEFC)	3.0 HP, 1,750 RPM
Power	3-phase/60 Hz
Fuel	Natural or LP Gas
Inlet Gas Pressure (Natural Gas)	8.5" WC (min) 1 PSI (max)
Inlet Gas Pressure (LP Gas)	4.5" WC (min) 1 PSI (max)
Gas Manifold	1" ANSI Certified
Temperature Rise	130°F
Dimensions (approximate)	67.5" L x 34.5" W x 27" Dia.
Unit Weight	330 Pounds



Pure and Simple Solutions

5496 North Riverview Drive • Kalamazoo, MI 49004

Represented by:

Phone: (800) 804-4000 • Fax: (269) 382-5291

www.absolutaire.com